

ATLAS

VENT-FREE GAS FIREBOXES



astria
FIREPLACES®



Atlas42 Vent-Free Firebox with White Herringbone Refractory Panels and Southern Comfort Log Set

The **Atlas's** extra tall opening accentuates a variety of standard features to anyone familiar with real masonry fireplaces. The refractory panels are available in traditional white stacked and white herringbone patterns, with integrated ash lip. These fireboxes do not require heat deflection hoods and readily accept a large variety of vent-free logs.

Interior (Required)

Choose from White Stacked or White Herringbone Refractory Panels.



White Stacked



White Herringbone

OPTIONAL ACCESSORIES

- A. Blower Kits
- B. Outside air kit
- C. Vent-free gas logs

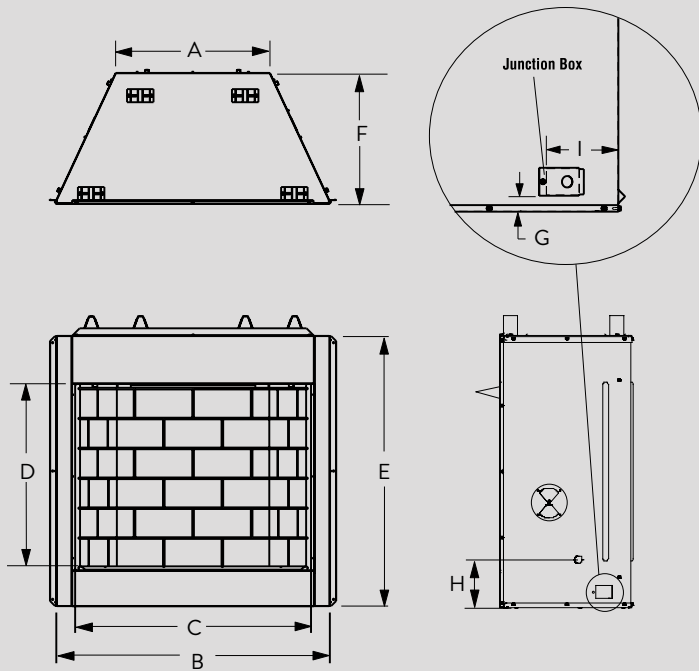


Decorative Twin Pane Screen Door

STANDARD FEATURES

- ◆ Available in 36" and 42" radiant smooth-faced model
- ◆ Tall 28" opening accepts up to 30" vent-free gas logs
- ◆ White stacked refractory panels (sides, back and hearth with ashlip)
- ◆ Optional heat deflection hood (not required)
- ◆ Includes mesh fire screens & Junction box
- ◆ Optional outside air kit
- ◆ Optional blower
- ◆ Durable textured powder coat finish
- ◆ Lifetime Limited Warranty

APPLIANCE SPECIFICATIONS



	ATLAS 36	ATLAS 42
A	23-1/2"	29-1/2"
B	41-3/4"	47-3/4"
C	36"	42"
D	28"	28"
E	41-1/4"	41-1/4"
F	20"	20"
G	1-5/16"	1-5/16"
H	8-3/8"	8-3/8"
I	5-1/2"	5-1/2"

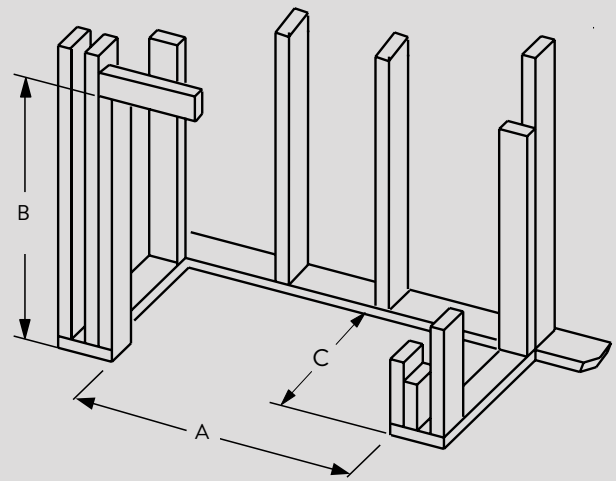
IMPORTANT NOTES:

As with any fireplace, this appliance is extremely hot during operation. Read and understand all operating instructions before using this appliance. For further information, consult your dealer.

Local conditions, such as elevation, wind, vent configuration and choice of fuel will affect overall appearance of the fire and heating performance. Performance can also vary with home design and insulation, climate, condition and type of fuel used, appliance location, burn rate, accessories chosen, chimney installation and how the appliance is operated.

Diagrams, illustrations and photographs are not to scale—consult installation instructions. Product designs, materials, dimensions, specifications, colors and prices are subject to change or discontinuance without notice.

FRAMING SPECIFICATIONS



	ATLAS 36	ATLAS 42
A	42 1/4"	48 1/4"
B	44 1/4"	44 1/4"
C	20-1/2"	20-1/2"

astria
FIREPLACES®

© 2018 Innovative Hearth Products
785449M 09/18

Visit us online
Astria.us.com

PFS
US
Report #F14-168

